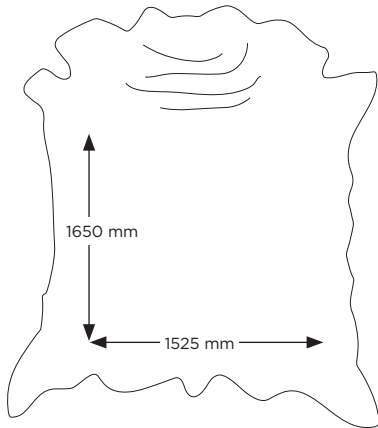
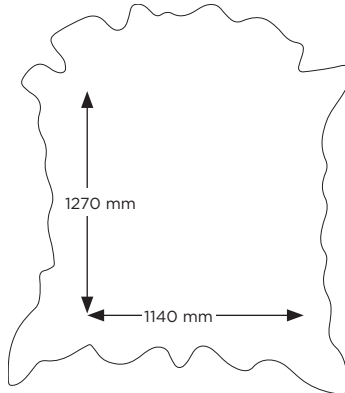


QUICK GUIDE TO THE HIDE (METRIC)

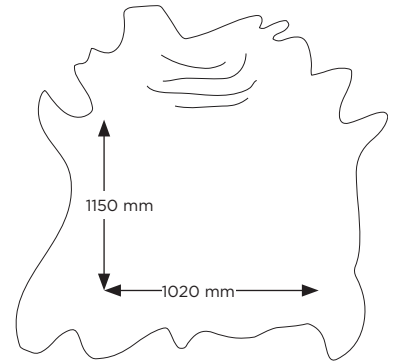
Hides are a natural product and vary in size and shape.
Dimensions indicate an average usable area.



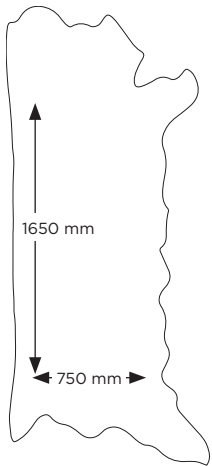
Cowhide
Avg 50-55 sf



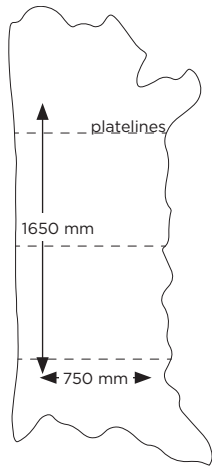
Kip
Avg 40 sf



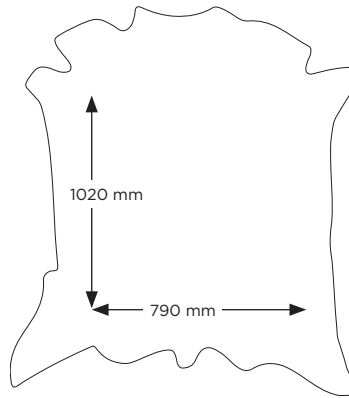
Calfskin
Avg 32-34 sf



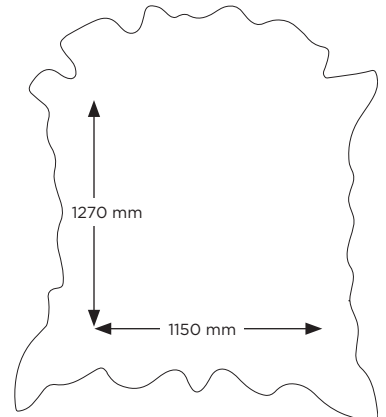
1/2 hide Cavallini
(hair-on hide)
Avg 28 sf



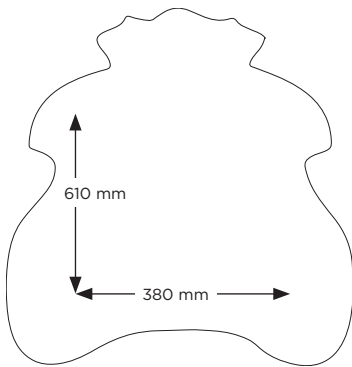
1/2 hide
Embossed
Avg 28 sf



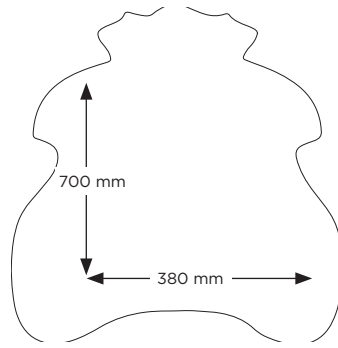
Suede
Avg 17 sf



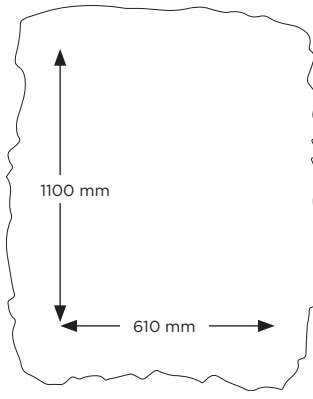
Shrunken
Avg 40 sf



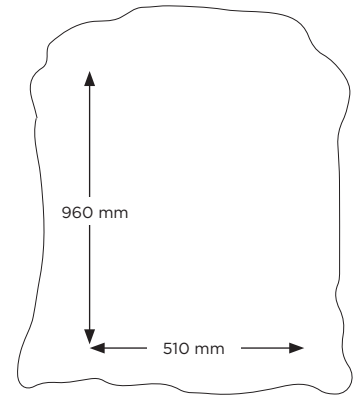
Curly Shearling
Avg 6-8 sf



Kashmir Shearling
Avg 5-6 sf



Mongolian Shearling
Avg 8 sf



Tile Bend
Avg 10 sf



EDELMAN
LEATHER